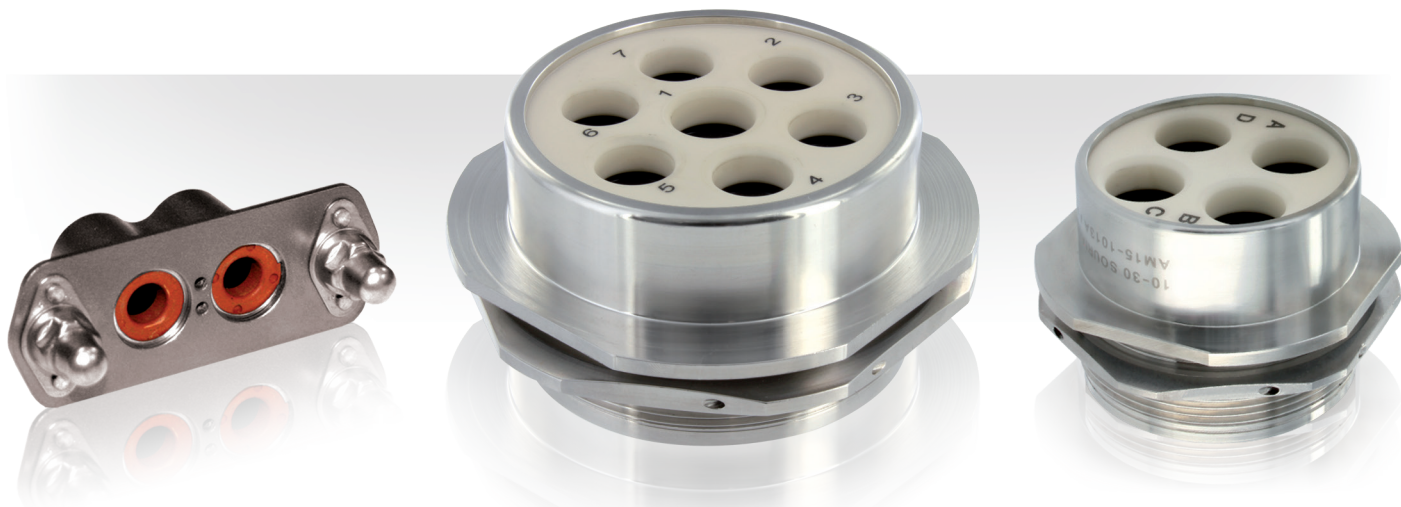


Feedthrough Fire Resistant Seal



Cable Routing Fire Resistant Feedthrough

Secured cable routing thanks to a fire stop design. Ideal for engine & APU (Auxiliary Power Unit) for aircrafts applications.

Fire resistant & High temperature

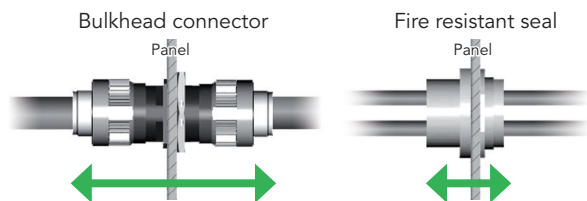
- Ceramic insulator to enable 1100°C during 20min. Rated resistance at up to 260°C. Adapted to power cable.

Excellent vibration withstanding

- Avoid cable movement under vibrations.

Space saving

- Comparison with bulkhead connectors:



Rectangular low weight version

- Rectangular version also available with floating nuts for blind mating.

Description

- Cable routing fire resistant feedthrough
- Ceramic insulator in high temperature silicon to enable 1100°C during 20 min
- Avoid cable movement under vibrations
- Available in 2, 4 & 7 ways
- Available in rectangular version with floating nuts for blind mating



Technical features

Mechanical

- **Shell:**
Circular version: Stainless steel
Rectangular low weight version: Titanium
- **Insulator:** Ceramic
- **Grommet:** Silicone
- **Shock:**
300 m/s² (30g) during 3 ms
- **Vibration:**
Random 8 hours per axis
5 Hz to 2000 Hz at 1G²/Hz

Climatics

- **Operating temperature range:**
-65°C to +260°C
- **Resistance to fluids:**
According to ABS1091

Conformity

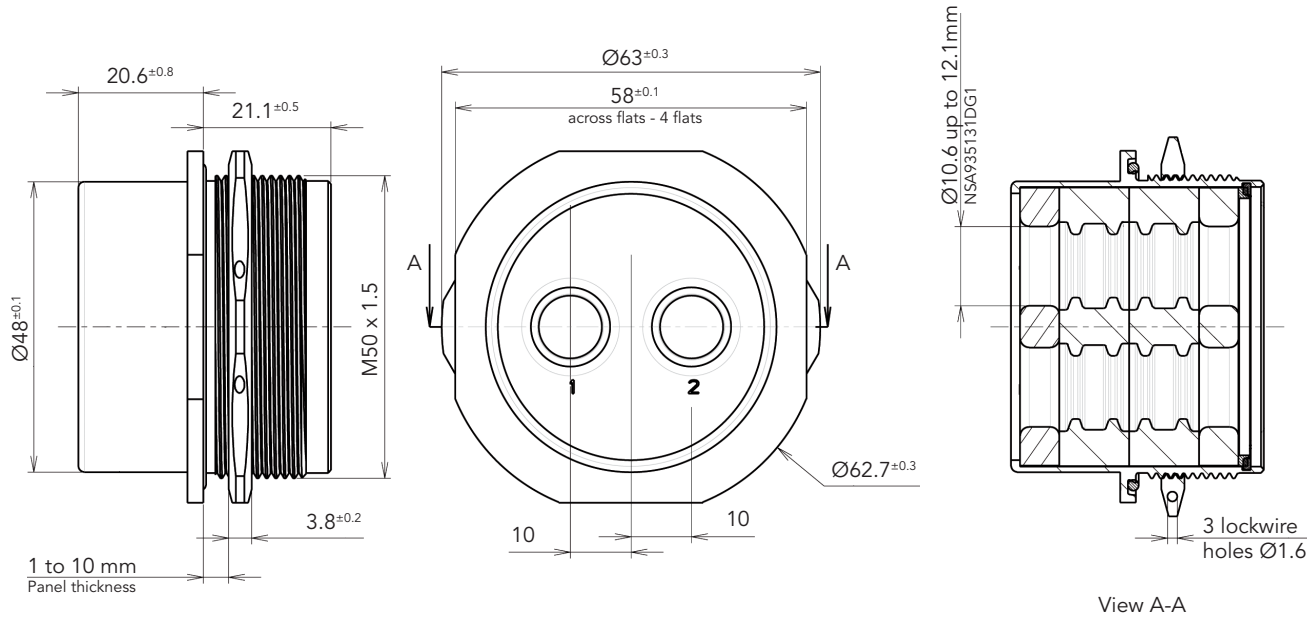
- **Circular jam nut version:**
In accordance with ABS0681
- **Circular square flange version:**
In accordance with 5D0684QTP
- **Rectangular low weight version:**
In accordance with ABS1536

Ordering information & Weights

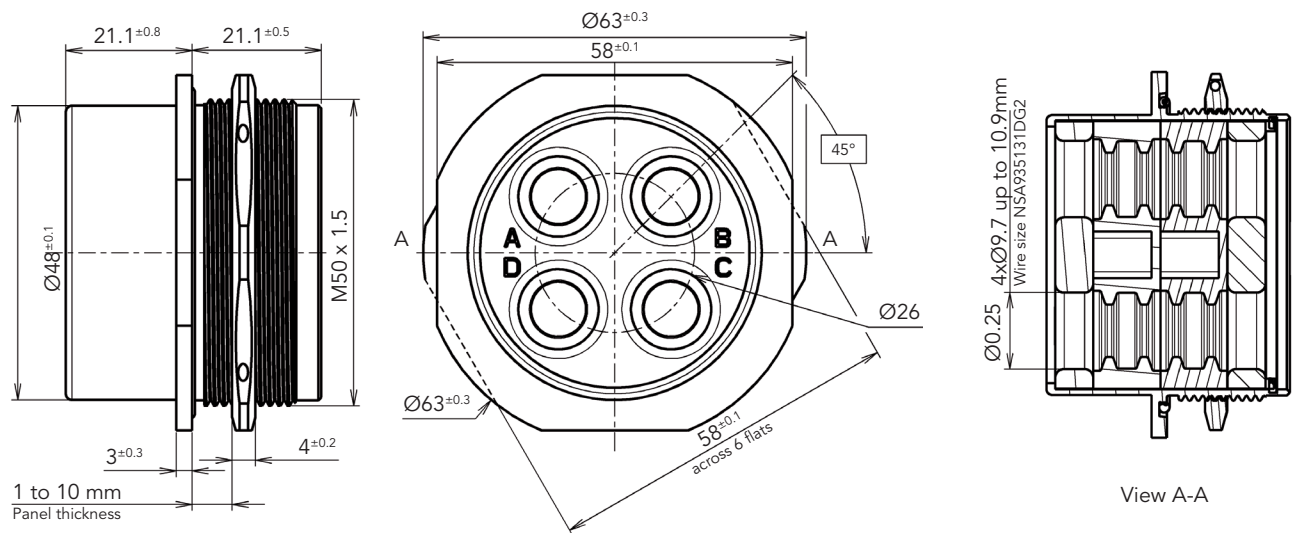
Cable routing style		Number of ways	SOURIAU Part Number	Airbus ABS Part Number	Boeing Part Number	Mass max. (gram)
Circular	Jam nut	2	AM15-1002A	ABS0681-07	-	210
		4	AM15-1013A	ABS0681-08	-	200
		7	AM15-1001A	ABS0681-06	-	410
	Square flange	4	AM52-1001A	-	SD0684-1	330
Rectangular low weight		2	AM04-1002A	ABS1536-003-01	-	54

Dimensions

Circular jam nut version - 2 ways

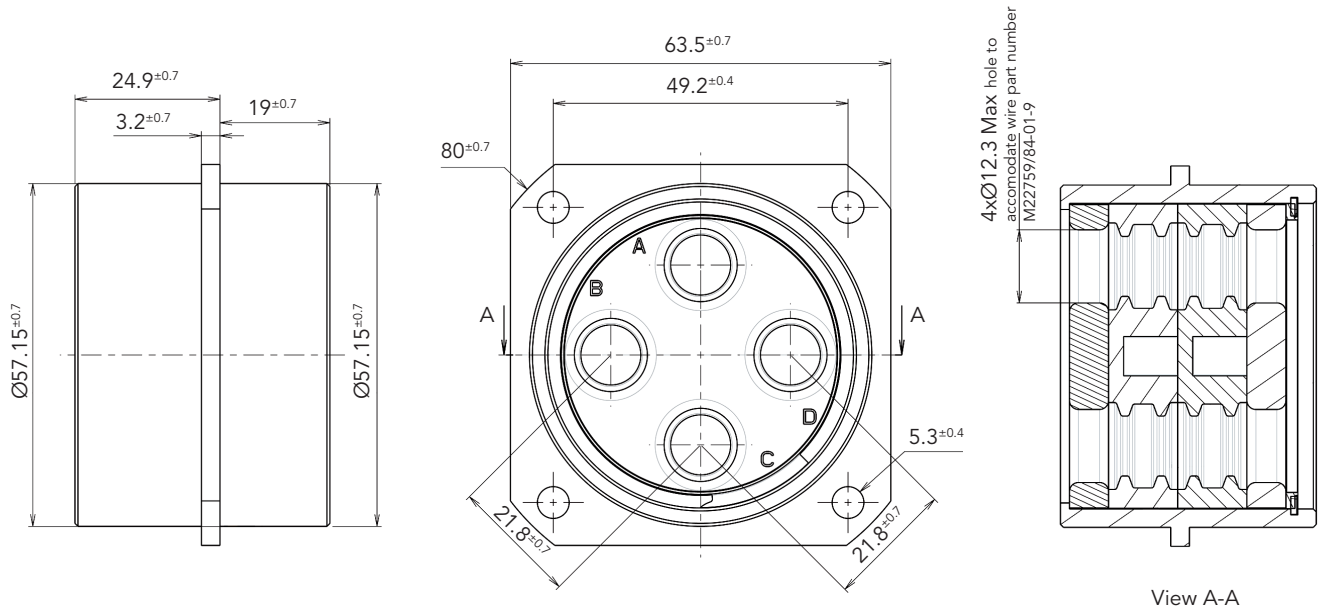


Circular jam nut version - 4 ways

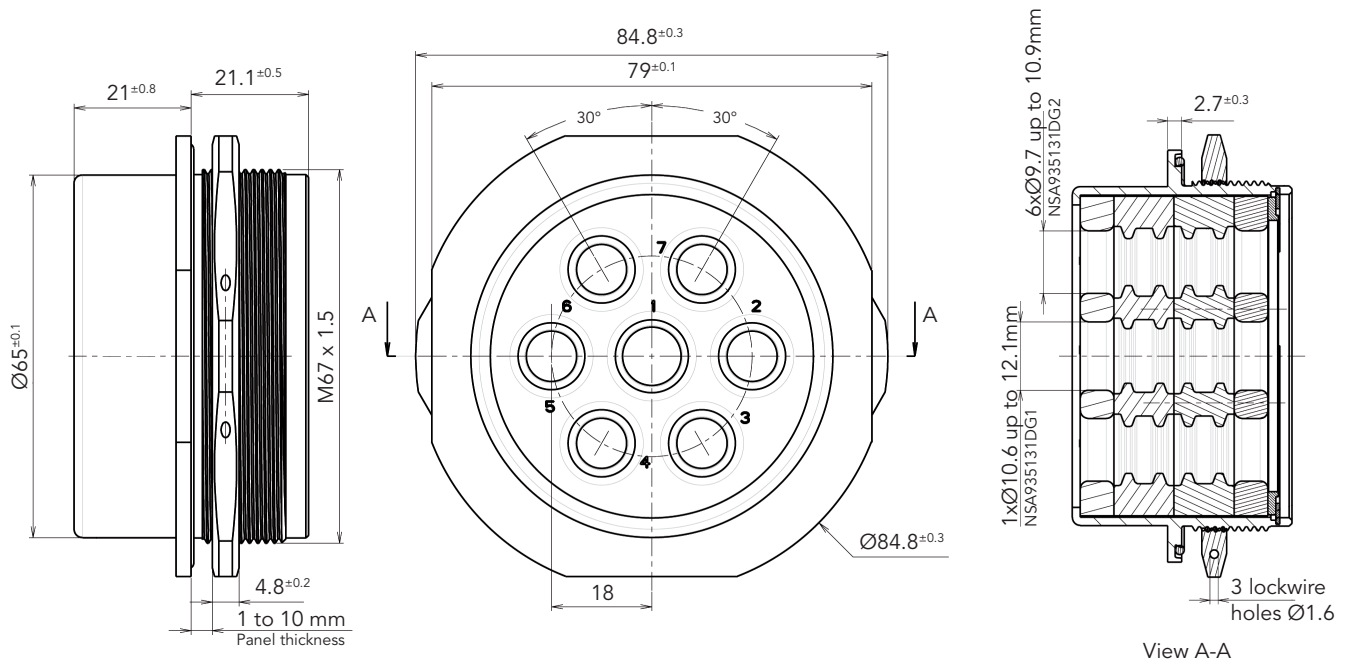


Note: All dimensions are in millimeters (mm)

Circular square flange version - 4 ways

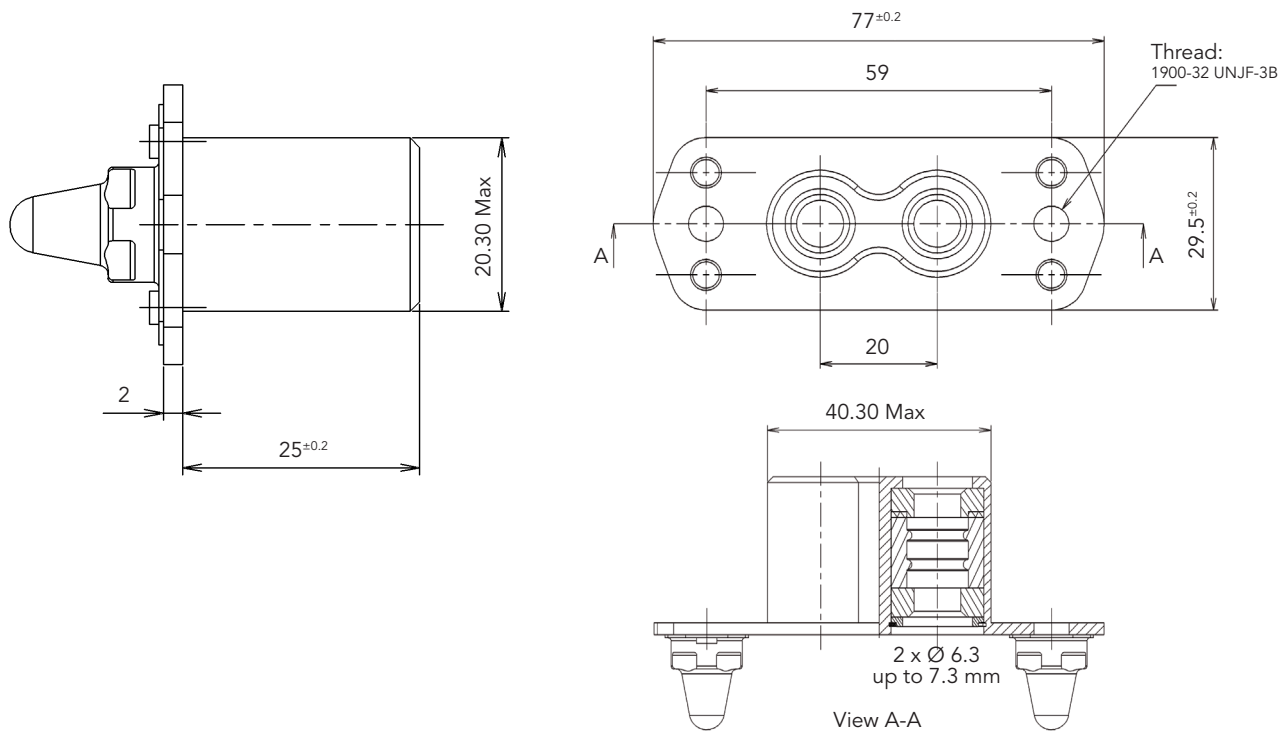


Circular jam nut version - 7 ways



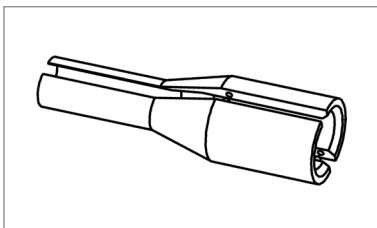
Note: All dimensions are in millimeters (mm)

Rectangular low weight version - 2 ways



Note: All dimensions are in millimeters (mm)

Tooling



Optional specific metallic tool to use during wiring.
Two tool parts.

Part number:
AM15-1004A for NSA935131DG1
AM15-1005A for NAS935131DG2

For further information contact us at technical.emear@souriau.com (Europe - Asia - Africa)
technical.americas@souriau.com (North America)
or visit our web site www.souriau.com