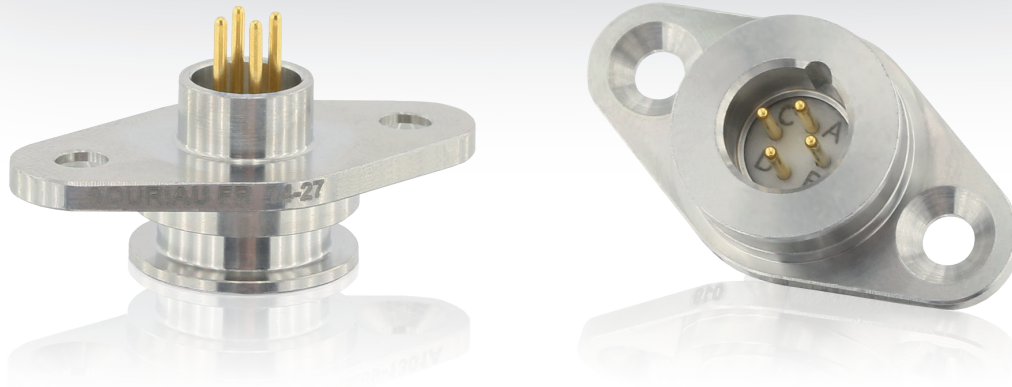


AM89 Series Hermetic Receptacle



Servo Control Connector

Shielded and space saving receptacle with hermetic performance.

High density solution ■ 4 contacts #20 in standard.
Other arrangements available on request.

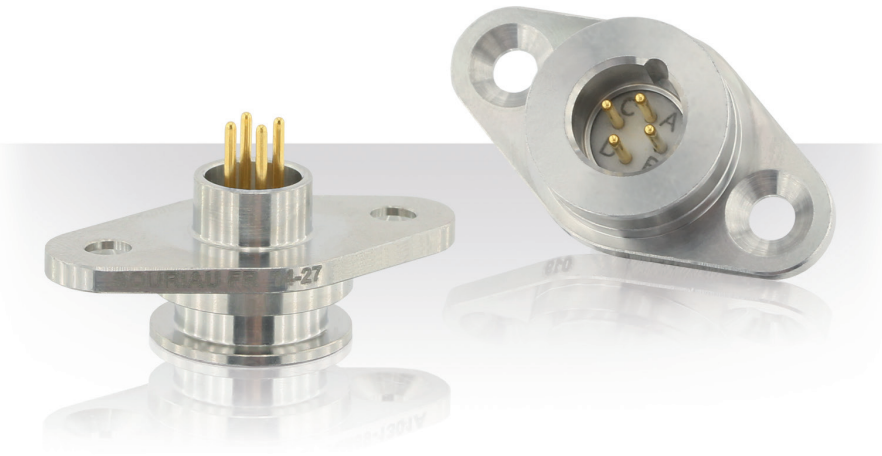
High hermeticity ■ Glass to metal sealing technology.
Leak rate $<1.10^{-7}$ atm.cm³/s.
Housing made of stainless steel.

Compact solution ■ Oval flange solution.

Large range of applications ■ Suitable for primary and secondary actuators.

Description

- Glass sealed hermetic
- Compact low profile
- Rackable mating type
- Available in solder cup contact, PC tail contact and eyelet contact
- Applications:
 - Civil or military aircrafts flight controls
 - Actuators
 - Servo valves
 - Linear Variable Differential Transformer (LVDT)
 - Sensors



Technical features

Mechanical

- **Shell:** Passivated Stainless steel (304L)
- **Insulator:** Glass
- **Contact:** Gold plated ferrous alloy

Electrical

- **Contact rating:** 5A Maxi
- **Insulation resistance:** > 5000M

Environmental

- **Operating temperature:** -55°C to +125°C
- **Hermeticity:** 1 bar differential pressure, leakage $\leq 1.10^{-7}$ atm.cm³/s
- **Salt spray:** 48 hours min

Mating plug

- **SN1542 plastic version:** SN1542 plug fully intermateable with AM89 receptacle.

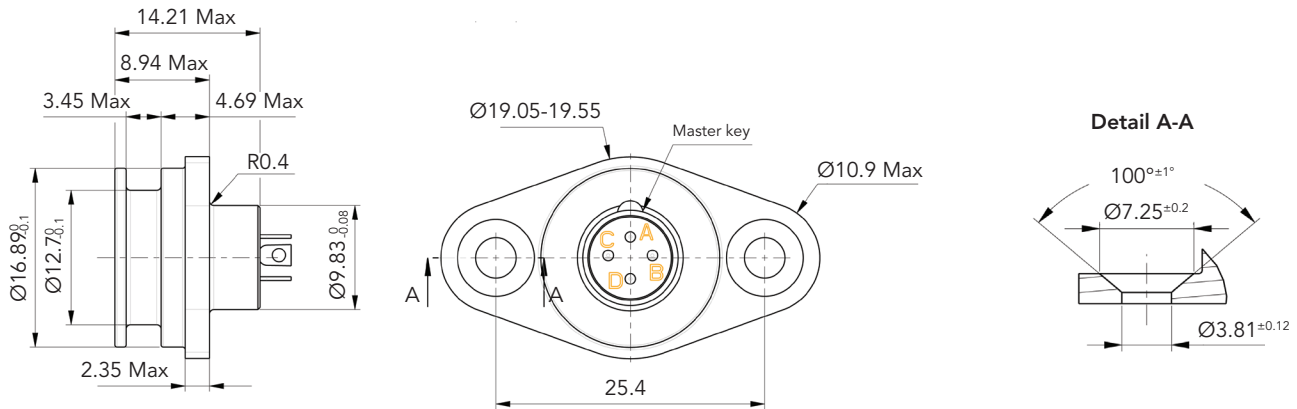


Ordering information

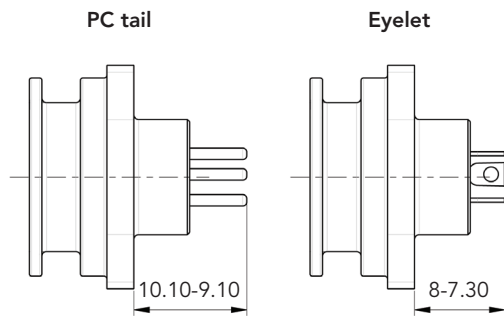
Hermetic receptacle	AM89	1201A
Contact style		
1201A: Eyelet contacts		
1301A: PC tail contacts		
1401A: Solder cup contacts		

SN1542 corresponding plastic plug
Part number: **SN1542A5031**

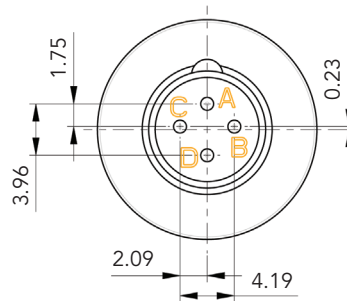
Dimensions



Contacts termination



Coordinates for PC tail termination



All dimensions are in millimeters.

For further information contact us at technical.emear@souriau.com (Europe - Asia - Africa)
technical.americas@souriau.com (North America)
 or visit our web site www.souriau.com